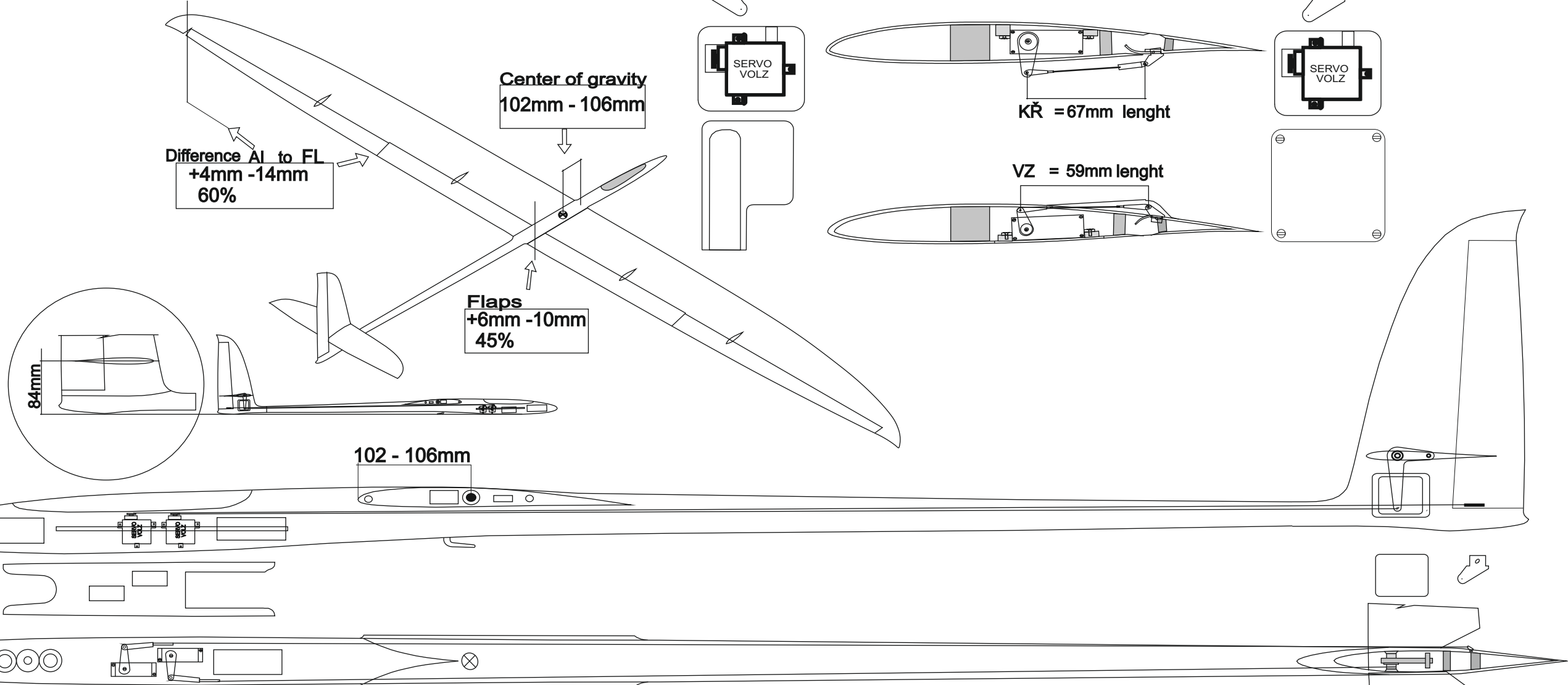


Flight phase F3F Normal

Control surface (+ : down, - : up)	
Ailerons AI :	+4mm -14mm
Rudder :	24mm
Elevator :	+6mm -6mm
FL-AI- Mix :	+4,5mm-2mm/+2,5mm
Kombi-Switch :	
Snap- FL:AI :	
Elev.-FL :	-8mm +15mm +7mm -4mm
Butterfly / brakes :	
Aileron AI:	-11mm
Flaps FL:	+45mm
Elevator	+4mm



Cables

