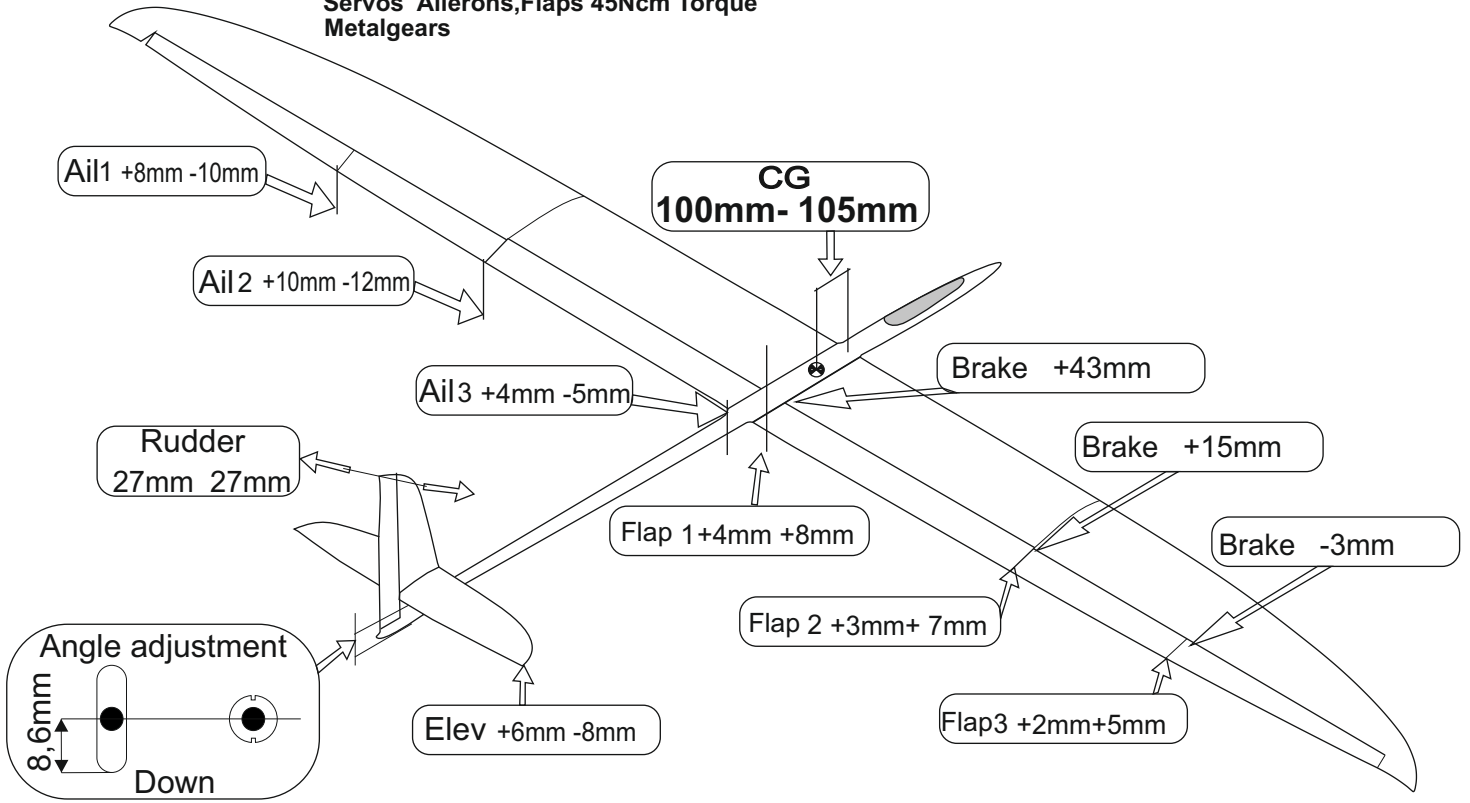




Servos Rudder 30Ncm Torque
 Servos Elevator 45Ncm Torque
 Servos Ailerons,Flaps 45Ncm Torque
 Metalgears



Setting	
(+ : Down, - : Up)	
CG	100mm- 105mm
Towhook front of CG	3-4 mm
Ailerons	+10mm -12mm
Flaps :	-3mm + 43mm
Rudder :	27mm
Elevator :	+6mm -8mm
Flaps-Ail- Mix : Start	+4mm +3mm
Flaps-Ail- Mix : Termik	+5mm +3mm
Flaps-Ail- Mix : Flug	+3mm +2mm
Flaps-Ail- Mix : Strecke	-0,8mm 0mm
Flaps-Ail- Mix : Speed	-1,5mm 0mm
Butterfly / break : WK-QR-	+43mm +15 +3mm
Elev Suppress	-3mm