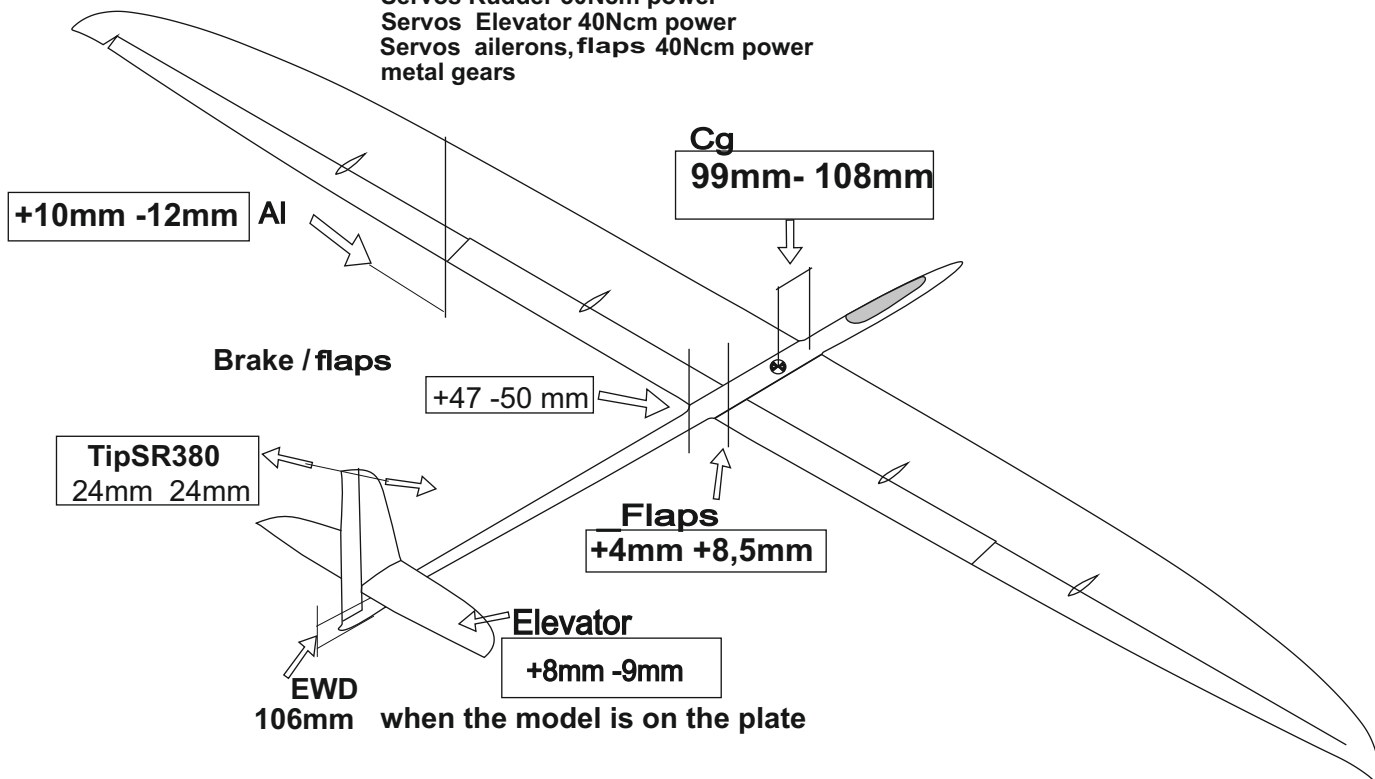


Modell nr.42

Setting Carbonára -Twister

Servos Rudder 30Ncm power
 Servos Elevator 40Ncm power
 Servos ailerons, flaps 40Ncm power
 metal gears



Control surface

(+ : down, - : up)

Center of gravity	99mm- 108mm
hook in front of Cg	1-4 mm
Ailerons :	+10mm -12mm
Flaps :	-3mm + 48mm
Rudder :	24mm
Elevator : +	+8mm -9mm
FL-AI- Mix : Start	+4mm +3mm
FL-AI- Mix : Termic	+8mm +3mm
FL-AI- Mix : Flight	+3mm +2mm
FL-AI- Mix : Route	-0,8mm 0mm
FL-AI- Mix : Speed	-1,5mm 0mm
Buterffly / brzda : FL-AI-	+50mm -2mm
HLW compansation	+3mm